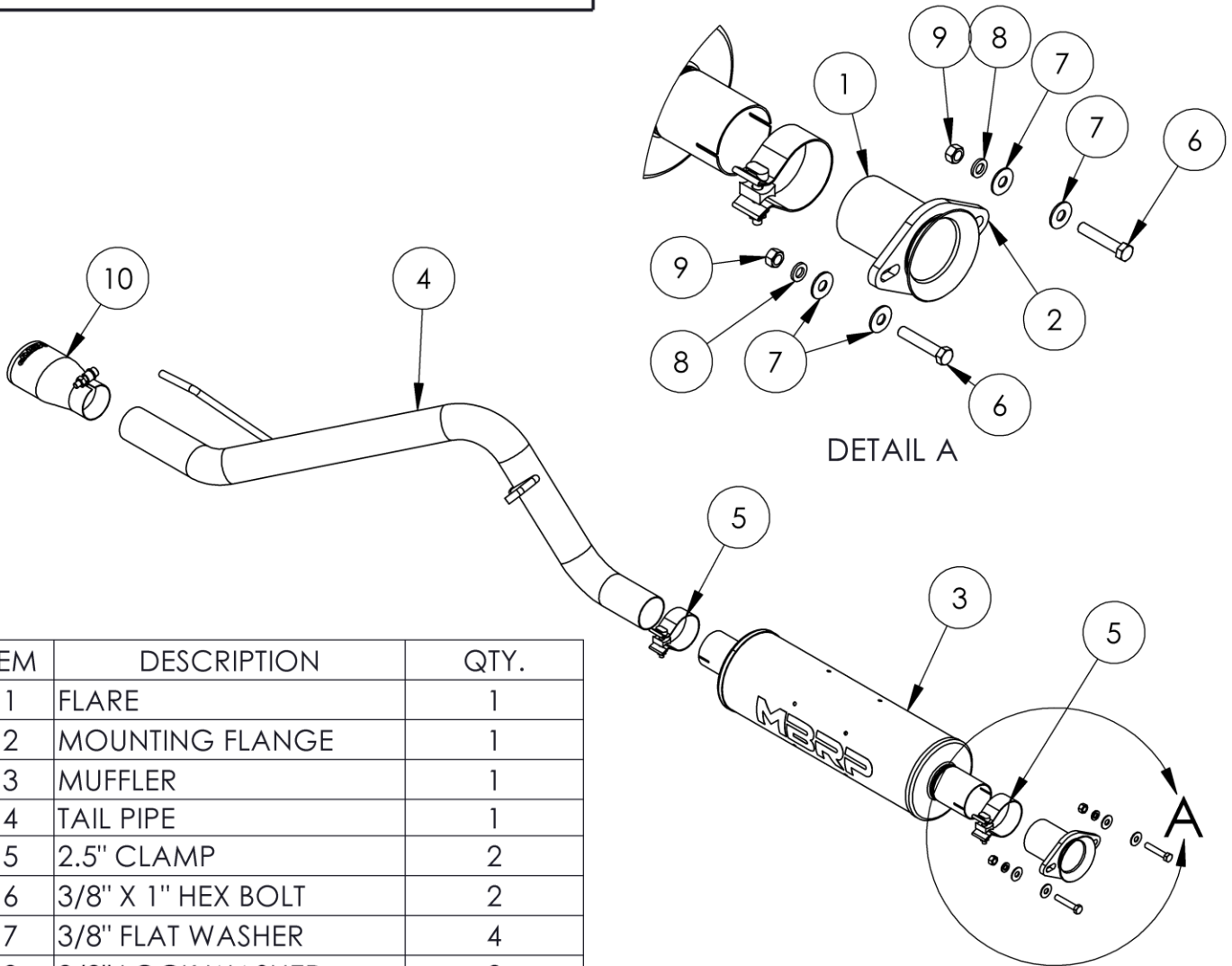


S5510

2002-2007 JEEP LIBERTY, 2.4L/3.7L,
CAT BACK, 2.5" SINGLE REAR EXIT

MBRP®



ITEM	DESCRIPTION	QTY.
1	FLARE	1
2	MOUNTING FLANGE	1
3	MUFFLER	1
4	TAIL PIPE	1
5	2.5" CLAMP	2
6	3/8" X 1" HEX BOLT	2
7	3/8" FLAT WASHER	4
8	3/8" LOCK WASHER	2
9	3/8" HEX NUT	2
10	EXHAUST TIP	1

PLEASE READ BEFORE STARTING INSTALLATION

While MBRP has made every effort to ensure that all components of this system are of superior quality and properly packaged, it is the installer's responsibility to ensure the following before removal of the factory exhaust:

- that ALL components shown above are present.
- that ALL mating components fit together.
- that there are no damaged components.
- that the system you have purchased is appropriate for your vehicle year, model and configuration.
- that the system will not interfere with any modifications previously installed or planned.
- that you have read and understand these instructions.

If you have any questions or are uncertain about any aspect of the installation of this system to your vehicle please contact your dealer before commencing installation.

MBRP

2002-2007 Jeep Liberty 2.4L- 3.7L

Removal of stock system:



Figure 1

1. Apply a penetrating lubricant liberally to all exhaust fasteners, hangers, and rubber insulators.



Figure 2

2. Cut the exhaust pipe after the muffler to be able to remove it from the vehicle. **Refer to Figure 1.**



Figure 3

3. Remove the tail section of the exhaust by removing it from the rubber isolators. **Refer to Figure 2.**

4. Remove the hardware from the flange and remove the muffler. **Refer to Figure 3.**

MBRP

Installation of MBRP Performance Exhaust:



Figure 4



Figure 5



Figure 6

1. Install the **Flare** to the existing flange using the provided flange and fasteners.

Refer to Figure 4.

2. Install the Muffler to the flare using a 2.5" clamp, bringing the clamp snug but not fully tightened.

3. Slide a 2 ½" **Clamp** over the **Muffler** outlet. Carefully slide the **Tail Pipe** over the axle. Note the front hanger may need to be carefully slid through the coil spring. Attach the **Tail Pipe** to the **Muffler**. Install the **Tail Pipe** hangers into the existing rubber isolators.

Refer to Figure 5 & 6.

4. Tighten all hardware and clamps, starting at the front and working rearward to secure the system. Check along the full length of the exhaust system to ensure there is adequate clearance for fuel lines, vent lines, brake lines, frame, bodywork, suspension, and any wiring, etc. If there is any interference detected, relocate, or adjust to provide adequate clearance. Ensure all clamp connections are secure and components are unable to rotate or slide. Band clamps require approximately 45 lb-ft (60 N-m) of torque. Verify clearances, system security and band clamp torque after 30-60 miles (50-100 km) of driving.



Congratulations! You are ready to begin experiencing the improved power, sound and driving experience of your **MBRP** performance exhaust system. We know you will enjoy your purchase.